

**GENERAL TECHNICAL CHARACTERISTICS**

Reference standards : IEC 61071-60068  
 Dielectric : Polypropylene film  
 Construction : Segmented metallized film, Dry construction Non-inductive type  
 Coating : Aluminum case. Dry construction  
 Leads: Threaded insert

**ELECTRICAL CHARACTERISTICS**

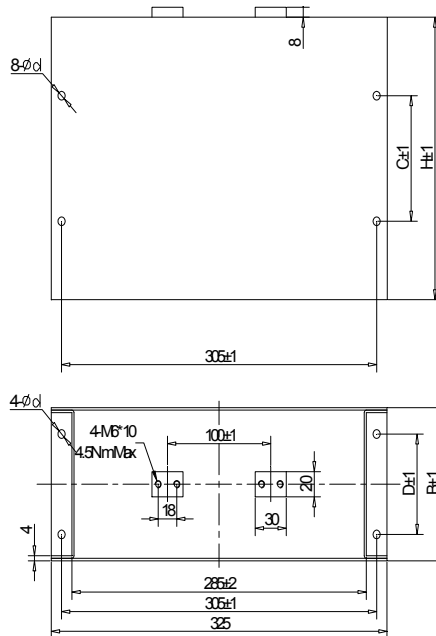
Operating temperature range: - 40 to + 85 °C (Hotspot temperature)  
 Capacitance : 400 to 6000µF  
 Rated Voltage : 800 to 3600 VDC  
 Tolerance : ± 5% , ± 10%  
 Dissipation factor: ≤ 2×10<sup>-3</sup> Measured at 100Hz and 20±5°C  
 Life expectancy : 100,000 hours at Un and 70 °C (Hotspot temperature)

**TEST METHODS AND PERFORMANCES**

Dielectric strength: 1.5Un (DC) applied to 10s at 20±5°C  
 Test voltage terminal to case : (1.5×Un+1000)VAC, Min 3000VAC, for 60 sec  
 Insulation resistance : ≥5000 s, after 1 minute of electrification at 100VDC (20±5°C)

**ORDERING CODE**

Please refer to Page 10, item H



Case	B	H	C	D	d
A1	120	160	80	80	7
A2	120	225	100	80	7
A3	120	290	120	80	7
B1	230	225	100	150	9
B2	230	290	120	150	9
B3	230	355	150	150	9

**Electrical specifications, ordering codes**

Ordering Code	Cap (µF)	Case code	Ls (nH)	ESR@1.0kHz (mΩ)	Irms@45°C @10kHz (A)	Rth (k/w)	Weight (Kg)
<b>Un 800VDC , Us 1200V , Ur 200V</b>							
SHC-800-3000-A1	3000	A1	< 120	1.37	110	0.98	8
SHC-800-4500-A2	4500	A2	< 120	1.08	140	0.74	11
SHC-800-6000-A3	6000	A3	< 120	0.93	160	0.59	14

**Electrical specifications, ordering codes**

Ordering Code	Cap (µF)	Case code	Ls (nH)	ESR@1.0kHz (mΩ)	I <sub>rms</sub> @45°C @10kHz (A)	R <sub>th</sub> (k/w)	Weight (Kg)
<b>Un 1000VDC , Us 1500V , Ur 250V</b>							
SHC-1000-1700-A1	1700	A1	<120	1.70	100	0.98	8
SHC-1000-2600-A2	2600	A2	<120	1.28	130	0.74	11
SHC-1000-3500-A3	3500	A3	<120	1.08	150	0.59	14
<b>Un 1200VDC , Us 1800V , Ur 300V</b>							
SHC-1200-1200-A1	1200	A1	<120	1.92	90	0.98	8
SHC-1200-1800-A2	1800	A2	<120	1.44	120	0.74	11
<b>Un 1600VDC , Us 2400V , Ur 350V</b>							
SHC-1600-680-A1	680	A1	<120	2.37	80	0.98	8
SHC-1600-1000-A2	1000	A2	<120	1.77	110	0.74	11
SHC-1600-1350-A3	1350	A3	<120	1.44	130	0.59	14
<b>Un 1800VDC , Us 2700V , Ur 400V</b>							
SHC-1800-550-A1	550	A1	<120	2.56	80	0.98	8
SHC-1800-800-A2	800	A2	<120	1.92	100	0.74	11
SHC-1800-1100-A3	1100	A3	<120	1.53	130	0.59	14
<b>Un 2000VDC , Us 3000V , Ur 450V</b>							
SHC-2000-1300-B1	1300	B1	<120	2.57	100	0.54	21
SHC-2000-1700-B2	1700	B2	<120	2.20	120	0.44	27
SHC-2000-2200-B3	2200	B3	<120	1.93	140	0.37	32
<b>Un 2400VDC , Us 3600V , Ur 500V</b>							
SHC-2400-900-B1	900	B1	<120	2.89	100	0.54	21
SHC-2400-1200-B2	1200	B2	<120	2.42	120	0.44	27
SHC-2400-1500-B3	1500	B3	<120	2.13	140	0.37	32
<b>Un 2800VDC , Us 4200V , Ur 600V</b>							
SHC-2800-660-B1	660	B1	<120	3.21	90	0.54	21
SHC-2800-880-B2	880	B2	<120	2.66	110	0.44	27
SHC-2800-1100-B3	1100	B3	<120	2.32	130	0.37	32
<b>Un 3200VDC , Us 4800V , Ur 700V</b>							
SHC-3200-500-B1	500	B1	<120	3.55	90	0.54	21
SHC-3200-680-B2	680	B2	<120	2.87	110	0.44	27
SHC-3200-850-B3	850	B3	<120	2.50	130	0.37	32
<b>Un 3600VDC , Us 5400V , Ur 800V</b>							
SHC-3600-400-B1	400	B1	<120	3.83	90	0.54	21
SHC-3600-540-B2	540	B2	<120	3.10	100	0.44	27
SHC-3600-680-B3	680	B3	<120	2.67	120	0.37	32