

GENERAL TECHNICAL CHARACTERISTICS

Reference standards : IEC 61071-60068
 Dielectric : Polypropylene film
 Construction : Dry construction, filled by solid resin,
 Non-inductive type
 Case : Self extinguishing plastic case UL94V0



ELECTRICAL CHARACTERISTICS

Working temperature : -40 to + 85 °C
 Capacitance : 12 to 500µF
 Rated Voltage : 700 to 2200 Vdc
 Tolerance : ± 10%

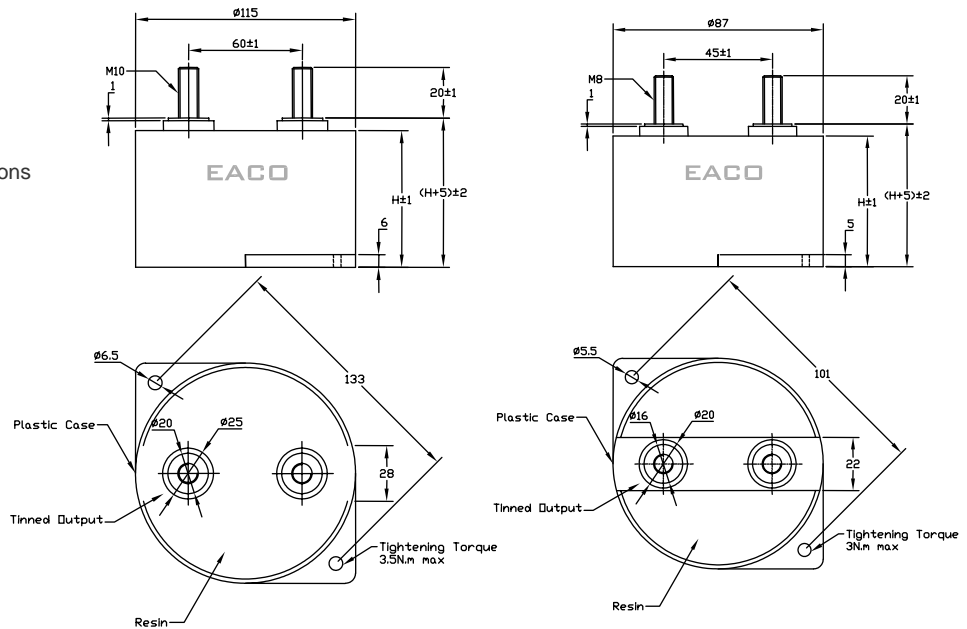
TEST METHODS AND PERFORMANCES

Test voltage between terminals : 1.6xUn for 10s at 25 °C
 Test voltage terminal to case : 3 KV 50Hz for 2sec

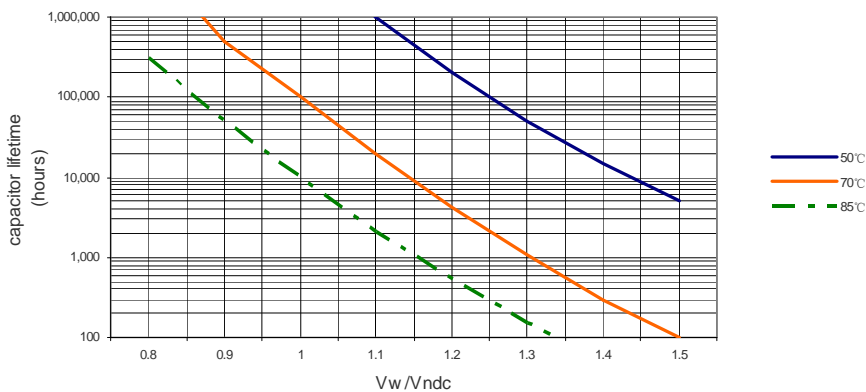
DESIGN

Two case diameter :
 87mm and 115mm

Also available with
 threaded female connections



LIFETIME EXPECTANCY vs HOT SPOT TEMPERATURE AND VOLTAGE



Vw : permanent working or operating DC-voltage

Electrical specifications, ordering codes

Part Number	Capacitance (μ F)	Diameter (mm)	Height (mm)	Ls max. (nH)	Du/dt (v/ μ s)	Irms max. (A)	ESR (m Ω)
Vn dc 700V							
SHF-700-80	80	87	44	25	40	72	1.8
SHF-700-100	100	87	44	25	40	84	1.7
SHF-700-120	120	87	49	28	34	82	1.7
SHF-700-140	140	87	54	32	29	81	1.8
SHF-700-180	180	87	64	40	22	77	2.0
SHF-700-220	220	87	74	45	18	74	2.1
SHF-700-180	180	115	45	25	40	160	1.4
SHF-700-220	220	115	50	30	34	160	1.4
SHF-700-250	250	115	55	32	29	150	1.5
SHF-700-300	300	115	65	40	22	140	1.6
SHF-700-390	390	115	75	45	18	140	1.6
SHF-700-500	500	115	90	51	14	140	1.8
Vn dc 900V							
SHF-900-70	70	87	44	25	53	78	1.8
SHF-900-85	85	87	49	28	44	77	1.9
SHF-900-100	100	87	54	32	38	75	2.0
SHF-900-125	125	87	64	40	29	71	2.2
SHF-900-145	145	87	74	45	24	65	2.4
SHF-900-125	125	115	45	25	53	150	1.4
SHF-900-145	145	115	50	30	44	140	1.5
SHF-900-170	170	115	55	32	38	140	1.6
SHF-900-220	220	115	65	40	29	140	1.7
SHF-900-270	270	115	75	45	24	130	1.8
SHF-900-350	350	115	90	51	19	130	1.9
Vn dc 1100V							
SHF-1100-45	45	87	44	25	74	70	2.0
SHF-1100-52	52	87	49	28	62	66	2.1
SHF-1100-60	60	87	54	32	53	64	2.3
SHF-1100-80	80	87	64	40	41	63	2.5
SHF-1100-100	100	87	74	45	34	61	2.7
SHF-1100-75	75	115	45	25	74	130	1.6
SHF-1100-90	90	115	50	30	62	130	1.7
SHF-1100-110	110	115	55	32	53	130	1.7
SHF-1100-140	140	115	65	40	41	120	1.8
SHF-1100-180	180	115	75	45	34	120	1.9
SHF-1100-220	220	115	90	51	26	110	2.2
Vn dc 1250V							
SHF-1250-30	30	87	44	25	97	62	2.2
SHF-1250-38	38	87	49	28	81	63	2.3
SHF-1250-45	45	87	54	32	69	62	2.4
SHF-1250-55	55	87	64	40	54	56	2.8
SHF-1250-70	70	87	74	45	44	55	3.0
SHF-1250-55	55	115	45	25	97	120	1.7
SHF-1250-65	65	115	50	30	81	120	1.8
SHF-1250-80	80	115	55	32	69	120	1.8

Electrical specifications, ordering codes

Part Number	Capacitance (µF)	Diameter (mm)	Height (mm)	Ls max. (nH)	Du/dt (v/µs)	Irms max. (A)	ESR (mΩ)
SHF-1250-100	100	115	65	40	54	110	2.0
SHF-1250-120	120	115	75	45	44	110	2.2
SHF-1250-150	150	115	90	51	35	100	2.4
Vn dc 1400V							
SHF-1400-25	25	87	44	25	114	60	2.3
SHF-1400-30	30	87	49	28	95	58	2.5
SHF-1400-35	35	87	54	32	81	56	2.6
SHF-1400-45	45	87	64	40	63	53	3.0
SHF-1400-55	55	87	74	45	52	51	3.3
SHF-1400-45	45	115	45	25	114	120	1.7
SHF-1400-50	50	115	50	30	95	110	1.9
SHF-1400-60	60	115	55	32	81	110	2.0
SHF-1400-80	80	115	65	40	63	110	2.1
SHF-1400-100	100	115	75	45	52	100	2.2
SHF-1400-120	120	115	90	51	41	90	2.6
Vn dc 1800V							
SHF-1800-18	18	87	44	25	150	56	2.5
SHF-1800-22	22	87	49	28	125	55	2.7
SHF-1800-25	25	87	54	32	107	52	2.9
SHF-1800-30	30	87	64	40	83	46	3.5
SHF-1800-35	35	87	74	45	68	42	4.0
SHF-1800-30	30	115	45	25	150	110	1.9
SHF-1800-35	35	115	50	30	125	100	2.1
SHF-1800-40	40	115	55	32	107	100	2.2
SHF-1800-55	55	115	65	40	83	100	2.3
SHF-1800-65	65	115	75	45	68	90	2.6
SHF-1800-80	80	115	90	51	53	80	3.0
Vn dc 2200V							
SHF-2200-12	12	87	44	25	209	51	2.9
SHF-2200-14	14	87	49	28	174	48	3.1
SHF-2200-16	16	87	54	32	149	45	3.4
SHF-2200-20	20	87	64	40	116	42	3.9
SHF-2200-25	25	87	74	45	95	40	4.3
SHF-2200-20	20	115	45	25	209	100	2.1
SHF-2200-24	24	115	50	30	174	90	2.2
SHF-2200-28	28	115	55	32	149	90	2.4
SHF-2200-35	35	115	65	40	116	80	2.7
SHF-2200-45	45	115	75	45	95	80	2.9
SHF-2200-55	55	115	90	51	75	80	3.3

How to Order:

SHF -700 - 1100V – #

