

TO: _____

ALUMINUM ELECTROLYTIC CAPACITOR

CEB SERIES

APPROVAL BY

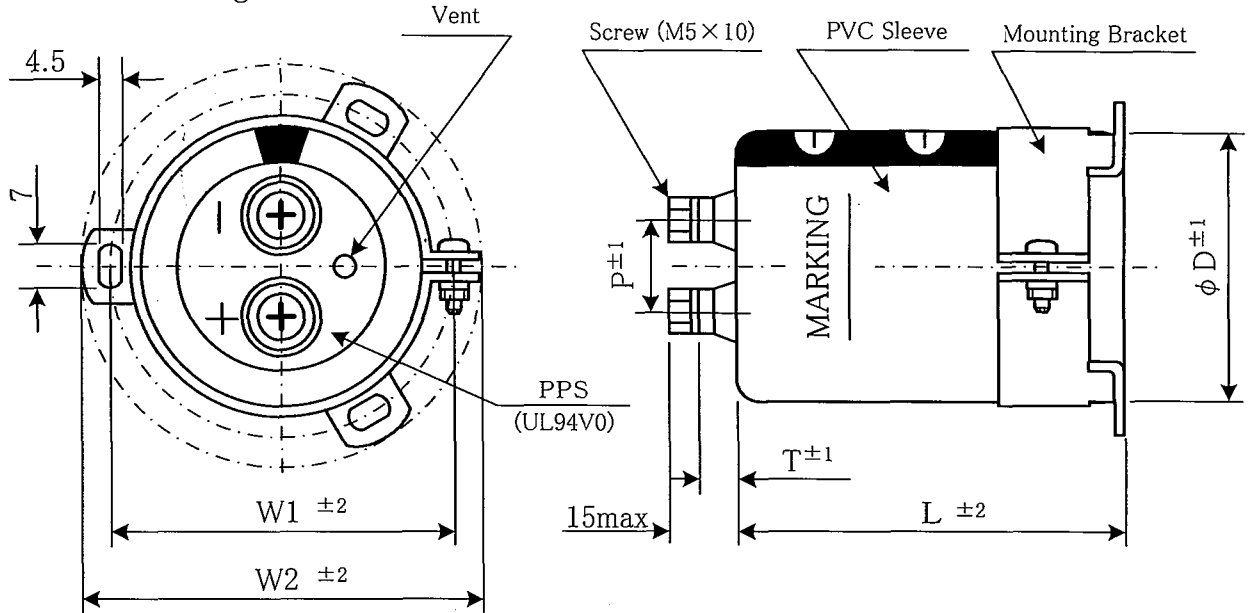
37T629

ALUMINUM ELECTROLYTIC CAPACITOR

I. Product Name and Type

1. Product Name ; Alminum Electrolytic Capacitor
2. Shape ; Metal case, Screw Terminals
3. Type ; CEB SERIES (85°C, 2000h)

II. Outline Drawing



Screw and Mounting Bracket will not be attached with Capacitor.

III. Specifications

1. Operating Temperature Range ; - 40 ~ + 85 °C
2. Capacitance Tolerance ; - 20 ~ + 20 % (at 120Hz, 20°C)
3. $\tan \delta$ (Dissipation Factor) ; 0.15 (at 120Hz, 20°C)
4. Rated Voltage ; Table-1 V.DC
5. Surge Voltage ; Table-1 V.DC
6. Capacitance ; Table-1 μF
7. Leakage Current ; Table-1 mA
8. Permissible Ripple Current ; Table-1 Arms (at 120Hz, 85°C)

Permissible ripple current applied is be calculated for conversion, using the figure stated below. Capacitors shall be used within 60A from restriction on M5 terminals temperature.

Ripple Current Multipling Factor

Frequency (Hz)					Temperature (°C)		
50/60	120	300	1K	10K ≤	40	60	85
0.7	1.0	1.1	1.3	1.4	1.89	1.67	1.00

DWN.	R. Tanaka	Aug. 27. '04	ALUMINUM ELECTROLYTIC CAPACITOR	Hitachi AIC Inc.	
CHKD.					
APPD.	R. Nagai	Aug 27. '04			
37T629 1/3					

Table-1.1 400W.V.

No	Part Number	Rated Voltage (V.DC)	Surge Voltage (V.DC)	Nominal Capacitance (μ F)	Leakage Current (mA)	Max. Ripple Current (Arms) at 85°C, 120Hz	Φ D (mm)	L (mm)	P (mm)	W1 (mm)	W2 (mm)	T (mm)
01	CEB2G102Y	400	450	1000	4.0	5.0	51	75	22.0	63.5	73.0	4.5
02	CEB2G122Y	400	450	1200	4.8	5.5	51	75	22.0	63.5	73	4.5
03	CEB2G152Y	400	450	1500	5.0	6.7	51	96	22.0	63.5	73	4.5
04	CEB2G182Y	400	450	1800	5.0	7.4	51	96	22.0	63.5	73	4.5
05	CEB2G222Y	400	450	2200	5.0	9.2	51	130	22.0	63.5	73	4.5
06	CEB2G272Y	400	450	2700	5.0	9.9	64	96	28.6	76.2	85.1	4.5
07	CEB2G332Y	400	450	3300	5.0	11.8	64	115	28.6	76.2	85.1	4.5
08	CEB2G392Y	400	450	3900	5.0	13.5	64	130	28.6	76.2	85.1	4.5
09	CEB2G472YD	400	450	4700	5.0	15.9	64	155	28.6	76.2	85.1	4.5
10	CEB2G472YE	400	450	4700	5.0	14.9	77	115	32.0	88.9	98.4	4.5
11	CEB2G562YD	400	450	5600	5.0	19.1	64	195	28.6	76.2	85.1	4.5
12	CEB2G562YE	400	450	5600	5.0	17.0	77	130	32.0	88.9	98.4	4.5
13	CEB2G682Y	400	450	6800	5.0	20.2	77	155	32.0	88.9	98.4	4.5
14	CEB2G822Y	400	450	8200	5.0	23.5	90	157	32.0	101.6	111.1	4.0
15	CEB2G103Y	400	450	10000	5.0	25.9	90	157	32.0	101.6	111.1	4.0
16	CEB2G123Y	400	450	12000	5.0	31.0	90	196	32.0	101.6	111.1	4.0
17	CEB2G153Y	400	450	15000	5.0	37.5	90	236	32.0	101.6	111.1	4.0

Table-1.2 450W.V.

No	Part Number	Rated Voltage (V.DC)	Surge Voltage (V.DC)	Nominal Capacitance (μ F)	Leakage Current (mA)	Max. Ripple Current (Arms) at 85°C, 120Hz	Φ D (mm)	L (mm)	P (mm)	W1 (mm)	W2 (mm)	T (mm)
18	CEB2W102Y	450	500	1000	4.5	5.0	51	75	22.0	63.5	73	4.5
19	CEB2W122Y	450	500	1200	5.0	6.0	51	96	22.0	63.5	73	4.5
20	CEB2W152Y	450	500	1500	5.0	7.2	51	115	22.0	63.5	73	4.5
21	CEB2W182Y	450	500	1800	5.0	8.3	51	130	22.0	63.5	73	4.5
22	CEB2W222Y	450	500	2200	5.0	9.0	64	96	28.6	76.2	85.1	4.5
23	CEB2W272Y	450	500	2700	5.0	10.7	64	115	28.6	76.2	85.1	4.5
24	CEB2W332Y	450	500	3300	5.0	12.4	64	130	28.6	76.2	85.1	4.5
25	CEB2W392YD	450	500	3900	5.0	14.5	64	155	28.6	76.2	85.1	4.5
26	CEB2W392YE	450	500	3900	5.0	13.6	77	115	32.0	88.9	98.4	4.5
27	CEB2W472YD	450	500	4700	5.0	17.5	64	195	28.6	76.2	85.1	4.5
28	CEB2W472YE	450	500	4700	5.0	15.6	77	130	32.0	88.9	98.4	4.5
29	CEB2W562Y	450	500	5600	5.0	18.3	77	155	32.0	88.9	98.4	4.5
30	CEB2W682Y	450	500	6800	5.0	21.4	90	157	32.0	101.6	111.1	4.0
31	CEB2W822Y	450	500	8200	5.0	23.5	90	157	32.0	101.6	111.1	4.0
32	CEB2W103Y	450	500	10000	5.0	28.3	90	196	32.0	101.6	111.1	4.0
33	CEB2W123Y	450	500	12000	5.0	33.6	90	236	32.0	101.6	111.1	4.0

ALUMINUM
ELECTROLYTIC
CAPACITOR

Hitachi AIC Inc.

9. Withstand voltage ; 1500V.AC、1minute
(Between terminals bundled and Bracket)
10. High temperature Loading ; Application of permissible ripple current at 50Hz to the capacitors for 2000 hours at the ambient temperature of 85°C with a maximum voltage so that the sum of a peak of DC and AC voltages becomes equivalent of the rated voltage.
These shall be kept for 12 to 24 hours under standard condition(comply with JIS-C-5102) and shall be satisfied with the following.
- Leakage Current ; No more than initial value specified
 - Capacitance Change ; ±15% initial value measured
 - Dissipation Factor ; No more than 175% of initial value specified
 - Appearance ; No notable change to be found
11. High Temperature Storage (Steady State) ; After storage of 500 hours at 85°C with out voltage applied, rated voltage is applied for one hour through a 1kΩ resistor at 20°C then stabilized for 12 to 24 hours. After completion of this, electrical measurement is made. Capacitor characteristics shall be satisfied with the following.
- Leakage Current ; No more than initial value specified
 - Capacitance Change ; ±15% initial value measured
 - Dissipation Factor ; No more than 175% of initial value specified
 - Appearance ; No notable change to be found
12. Surge Voltage ; The surge voltage is applied for 1000 cycles at 85°C of 30±5 seconds at voltage through a 1kΩ series resistor for a period of 6±0.5 minutes. These shall be kept for 12 to 24 hours under standard condition and shall be satisfied with the following.
- Leakage Current ; No more than initial value specified
 - Capacitance Change ; ±15% initial value measured
 - Dissipation Factor ; No more than initial value specified
 - Appearance ; No notable change to be found
13. Others ; The other electrical and mechanical characteristics.
JIS-C-5101-4 correspondingly to apply.